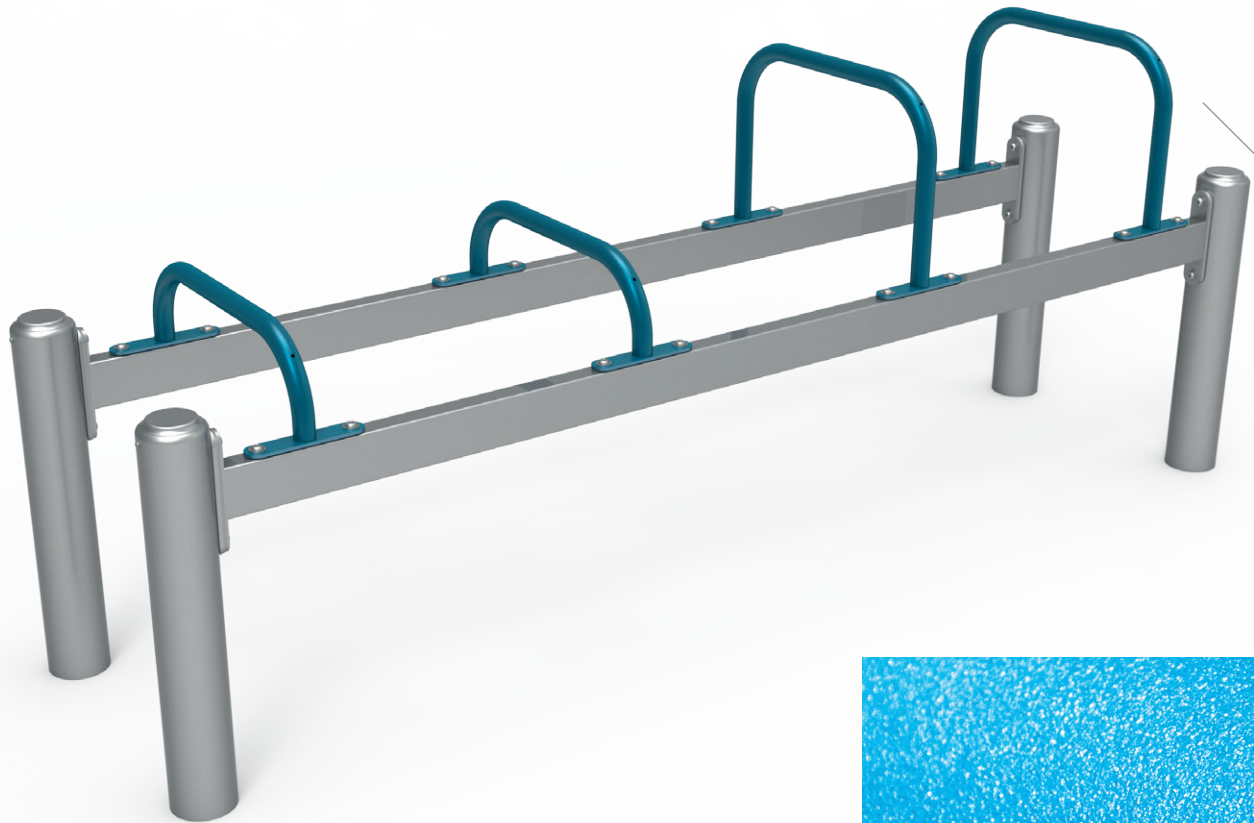


→ **Tunnel and Dips table Inferno**  
The pleasuring pain



AFNOR Cert. 61477

Ref. SW010106



Non-slip surface

Non contractual picture

The **METALU**+

- + **Non-slip surface on grip bars**
- + Sizing of the design
- + Quality of mounting

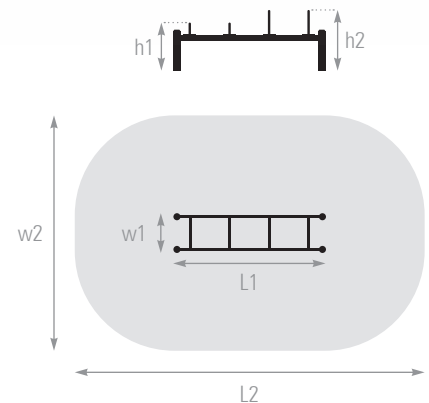
**Compliances**

NF EN 16630 standards  
FD S52-903  
1176-1

**Technical description**

- Galvanised and plastic-coated steel tubes Ø 102 mm with aluminium cap
- Grip bars anti-corrosion treatment, plastic-coated and non-slip surface Ø 34 mm
- Type of use : **hanging position**
- Height of freefall : ≤ 1 m
- Type of ground allowed : all types except sand and gravel  
Please refer to the type of ground chart

**Size**



Grip bars height (h1).....	0,7 m
Grip bars height (h2).....	0,9 m
Total length (L1) .....	2,3 m
Total width (w1) .....	0,6 m
Operational space length (L2).....	5,3 m
Operational space width (w2).....	3,6 m